

Features

- Universal Input 90~264VAC 50/60Hz
- Output Voltages: 24V DC
- Operating Temperature Range: 0~40°
- Safety Approvals: CE, TUV-GS, RoHS
- Low Ripple & Noise
- Protection: Overload/Over voltage/Short circuit
- Dimensions: 110 x 52.5 x 38mm



Ideal Power's 59RKPO-UKxxxxxxxCD-2 12W AC/DC Lugged External Desktop Power Supply (PSU) Series are certified to CE, TUV-GS, RoHS & EN 62368-1/IEC 62368-1/UL 62368-1 Standards and comply with (EU) 2019/1782, Level VI Efficiency Regulations. These are primarily used in ITE, Audio & Video Industries and customised solutions are available upon request.

Models

Model Number	Output Voltage	Output Current	Output Power	Efficiency
59RKPO-UK2400500CD-2	24V DC	0.5A	12W	82.96

General Specification

Type	In Line Lugged Power Supply
Rated Voltage	100V AC to 240V AC
Variation Voltage	90V AC to 264V AC
Rated Frequency	50/60Hz
Variation Frequency	47-63Hz
Number of Outputs	1
Connection Type	Barrel Plug Centre Positive 2.1mm x 5.5mm
Input	BS plug +1.5 HO5RN-F 2x1.0mm ²
Output	Waterproof Connector
Overload Protection	Yes
Over Current Protection	Auto recovery when over current faults remove.
Short Circuit Protection	When the output load short-circuit, the power supply will protect, troubleshooting can resume normal work.
Over Voltage Protection	Auto recovery when faults remove 120%~170%.

Mechanical Specifications

Housing Material	Sealed with epoxy for waterproofing
Overall Dimensions	110x52.5x38mm
Overall Length	110mm
Overall Depth	52.5mm
Overall Width	38mm

Input Specifications

Input Current	0.3 Amps max At any input voltage and rated, DC output rated load.
Inrush Current	20 Amps Max. Cold start at 240Vac input, with rated load and 25 °C ambient.
Leakage Current	0.25mA Max. At 240Vac input.

Output Specifications

Ripple and Noise	300mV p-p with Max. Bandwidth of 20MHz and Parallel 47uF/0.1uF,
Line Regulation	+1%
Load Regulation	+5%
Rise time	40 mS Max. at 115Vac input and output Max load.
Hold Up time	5 mS Min. at 115Vac input and output Max. Load.
Turn on Delay Time	3 Second Max. at 115Vac input and output Max. load.
Efficiency	82.96% Min, At 115/230Vac input voltage, full load calculation

Operational Environment

Operating Temperature Range	0°C to 40°C, Full load, Normal operation.
Storage Temperature Range	10°C to 80°C
Relative Humidity	5%(0°C)~90%(40°C)RH, 72Hrs, Full load, Normal operating.

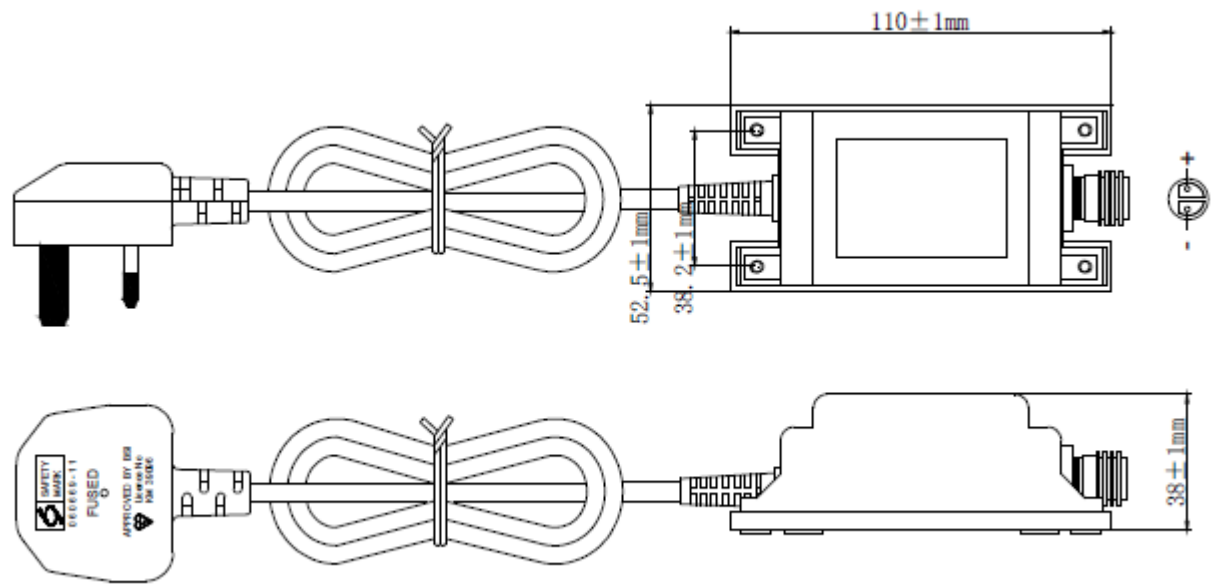
Safety Requirements

Dialectic Strength	Primary to secondary: 3000Vac 5mA/3S for type test.
Insulation resistance	Primary to secondary: 10MΩ min at 500V DC.

Approvals

Safety Standard	EN 61347-1:2015, EN 61347-2-13:2014+A1, EN 62493:2015
EMI Standard	FCC part 15, EN55015
EMC Emissions	EN55032(CISPR32), CNS13438 Class B, EN61000-3-2 Class A, EN61000-3-3, EN61000-4-2, 3, 4, 5, 6, 8, 11, EN55024, EN55035, EN61000-6-2, EN61204-3

Mechanical Drawing

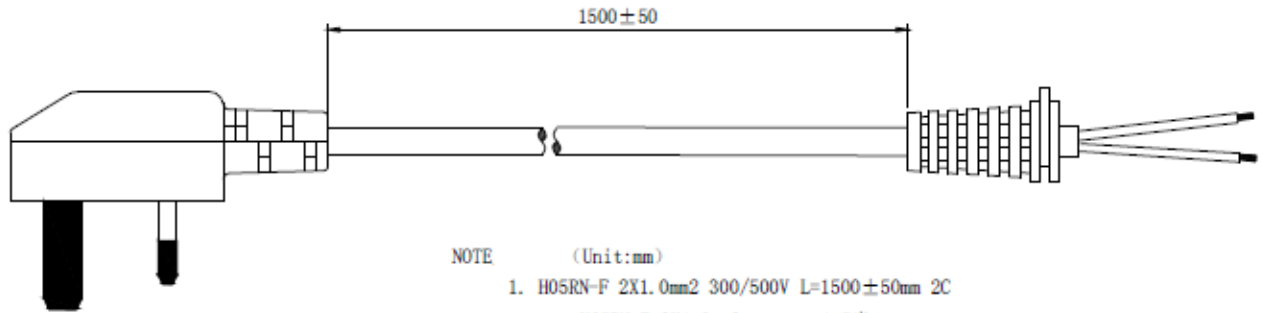


Label

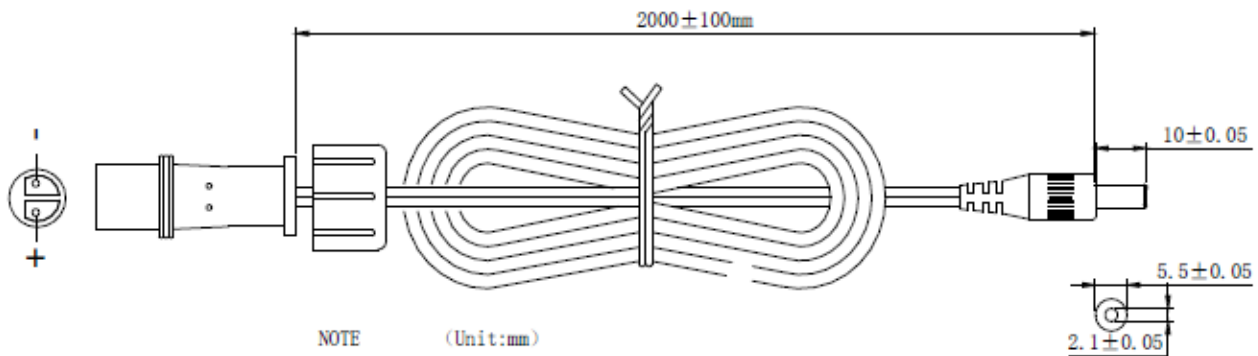
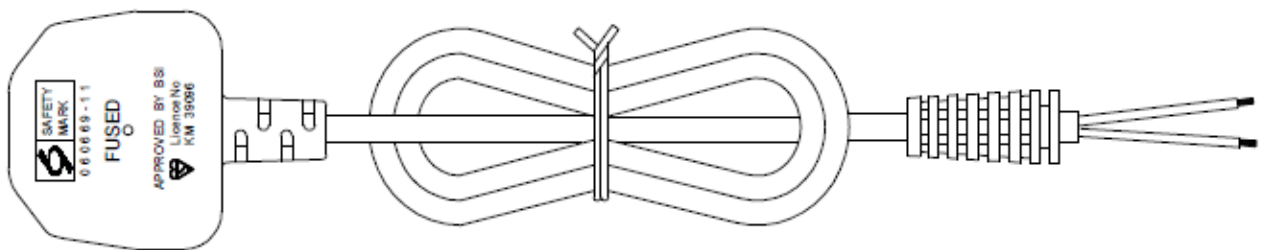


AC - DC

Cord Drawing



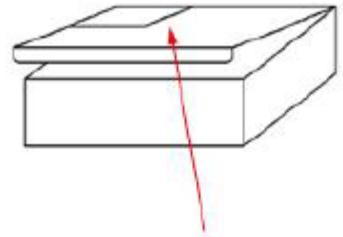
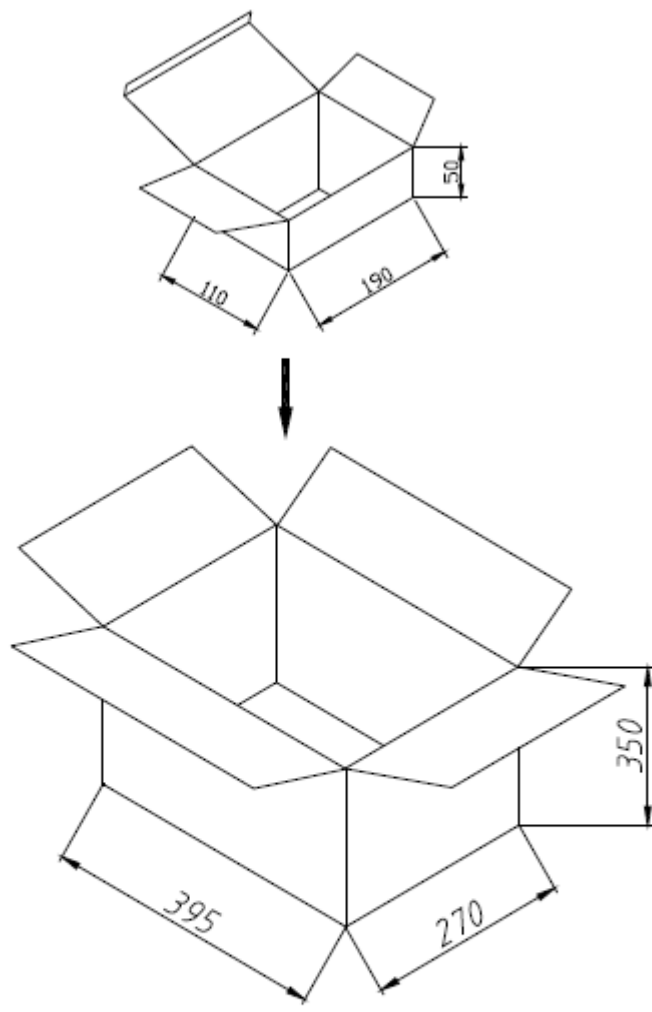
- NOTE (Unit:mm)
1. H05RN-F 2X1.0mm² 300/500V L=1500±50mm 2C
H05RN-F 2X1.0mm² 1.5米
 2. BS Plug 3PIN Fuse:3A/250V~
3PIN 3A/250V



- NOTE (Unit:mm)
1. SPT-1W 18AWG VW-1 105C° 300V L=2000±100mm 2C
SPT-1W 18# 2米
 2. The polarity:inner-positive,outer-negative
 3. DC jack:5.5*2.1*10mm

AC - DC

Packaging



59RKPO-UK2400500CD-2

白盒尺寸/BOX SIZE:190*110*50mm
材质/Material:350G
纸箱尺寸/CARTON SIZE:395*270*350mm
材质/Material:K=K
30PCS白盒装一箱/ Inner box 30pcs/crton

AC – DC